

Use Drawing 1 for Reference:

1. Remove fixture from carton and lay out parts in a clear area.
2. Locate center stem (2) and thread it into the bottom of the cluster assembly (B).

Ceiling pan is ready for mounting. Please follow the instructions on the back of this sheet. After mounting please follow the instruction under Glass installation to complete the fixture.

Glass installation

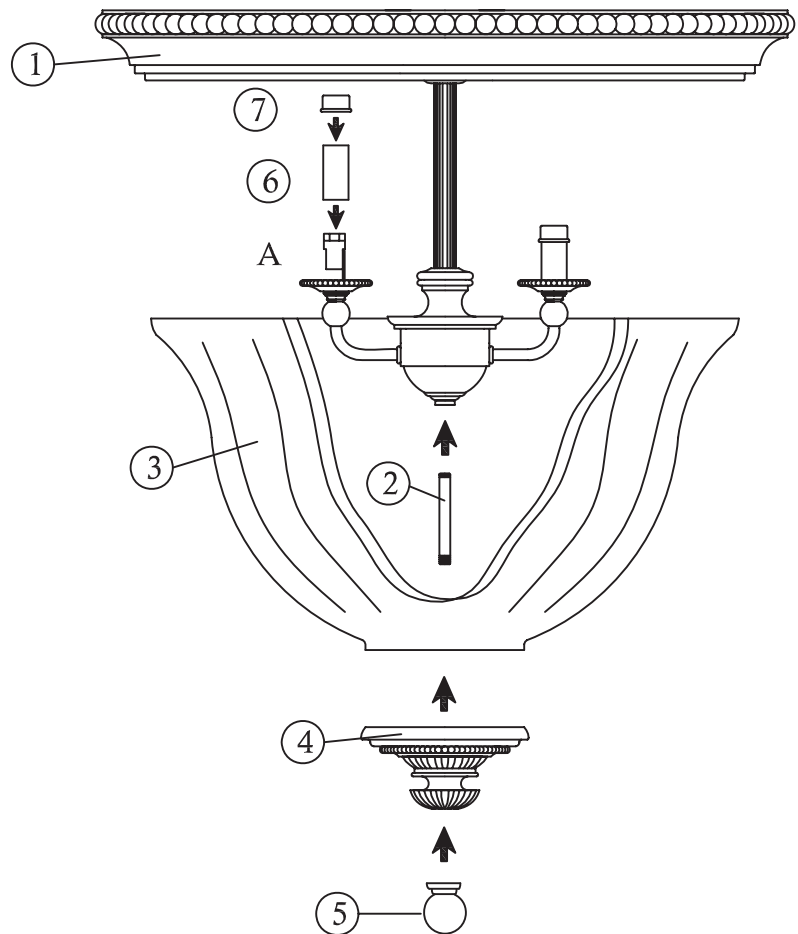
1. Prior to glass installation the candle sleeves (6) must be slipped over the sockets (A). After candle sleeve is in place slip candle chaser (7) onto candle sleeve (6). Fixture can now be lamped.

Please note that the maximum allowed wattage is 60 watts per bulb.

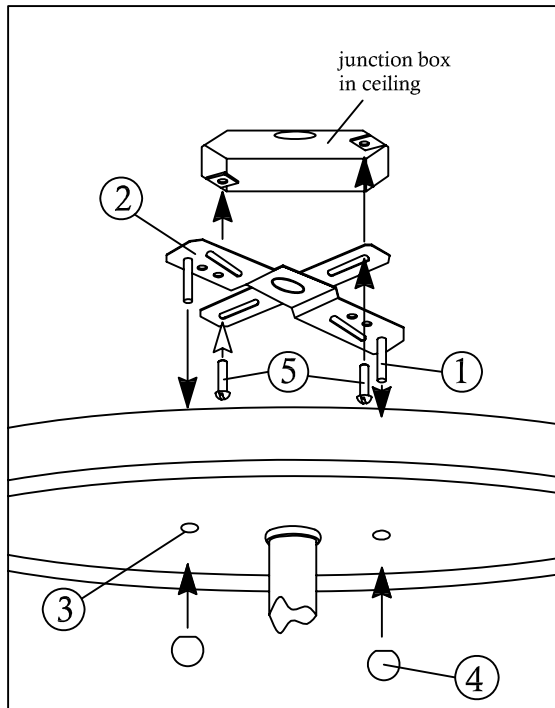
2. Slip glass (3) onto fixture. Now while holding glass in place, slip bottom finial (4) over center stem (2). Now ball knob (5) onto end of stem (2) and tighten to retain glass. Caution: Hand tighten only until snug. Over tightening could cause glass damage.

Fixture is now complete and power can be restored.

Drawing 1



Mounting Instructions for 3612



1. Shut current off before starting. If the fixture you are replacing is turned on and off by a wall switch, simply turn the switch off. If not, remove the appropriate fuse or open the circuit breaker. Do not restore current until the new fixture is completely wired and in place.
2. Thread 2 long 8-32 (1) screws provided, into the mounting strap (2). (Note: The 2 screws should be threaded into the gull wing shaped part of the mounting strap. With the flat part of the strap facing up.) Make sure screws are threaded into holes that line up with the holes in the canopy (3).
3. Attach mounting strap to junction box with 2 short 8-32 screws (5) provided.
4. Make wire connection following wiring instructions below.
5. After making appropriate wire connections, slip canopy of fixture over screws (1) and secure fixture with ball knobs (4).

HINKLEY LIGHTING 33000 Pin Oak Parkway Avon Lake, OH 44012 800.446.5539 / 440.653.5500 hinkleylighting.com

Wiring & Grounding Instructions

SAFETY WARNING: Read wiring and grounding instructions and any additional installation directions. Turn power supply off during installation. If new wiring is required, consult a qualified electrician or local authority for code requirements.

WIRING INSTRUCTIONS (INDOOR FIXTURES): Connect positive supply wire (black or red) to positive fixture lead with appropriately sized twist-on connector. Connect negative (white) supply wire to negative fixture lead.

WIRING INSTRUCTIONS (OUTDOOR FIXTURES): Connect positive supply wire (black or red) to positive fixture lead with appropriately sized twist-on connector. Connect negative (white) supply wire to negative fixture lead. Cover open end of connectors with silicone sealant to form a watertight seal. If installing a wall-mount fixture, use caulk to seal gaps, between the fixture mounting plate (backplate) and the wall. This will help prevent water from entering the outlet box. If the wall surface is lap siding, use caulk and a fixture mounting platform specially designed for lap siding.

IDENTIFICATION OF FIXTURE LEADS:

POSITIVE: Black, or with woven plain cloth cover or smooth and unmarked side of two-conductor cord.

NEGATIVE: White, or with woven cloth cover with tracer, or with ribbed or printed side of two conductor cord.

GROUNDING INSTRUCTIONS:

FOR FLUSH-MOUNT FIXTURES: For positive grounding in a 3-wire electrical system, fasten the system ground to the fixture mounting strap with the green ground screw. Note: On straps for screw supported fixtures, first install the two mounting screws in strap. Any remaining tapped hole may be used for the ground screw.

FOR CHAIN HUNG FIXTURES: Loop fixture ground wire under the head of the ground screw on mounting strap, and connect the loose end of the fixture ground wire directly to the ground wire of the building system, with appropriately sized twist-on connectors.

FOR POST-MOUNT FIXTURES: Connect fixture ground to power supply ground with appropriately sized twist-on connector inside post. Cover open end of connector with silicone sealant to form a watertight seal.

WIRING DIAGRAMS:

