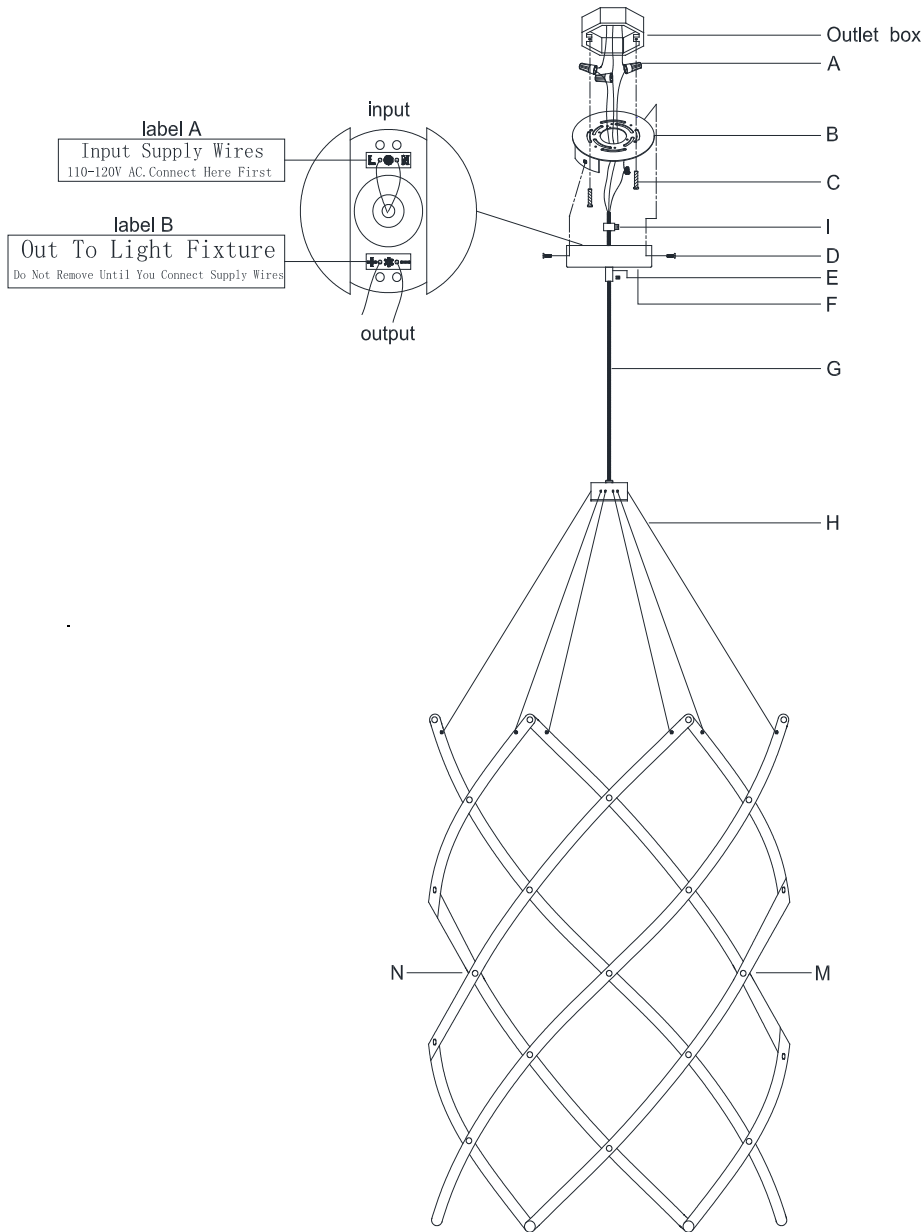


## ASSEMBLY INSTRUCTIONS



## Interlace Expandable Chandelier

Item # PB 5111

**WE RECOMMEND INSTALLATION OF THIS LIGHTING FIXTURE BE DONE BY A LICENSED ELECTRICIAN.**

**WARNING\*\*\*SWITCH OFF THE MAIN ELECTRICAL SUPPLY FROM THE MAIN FUSE BOX/CIRCUIT BREAKER BEFORE INSTALLATION.**

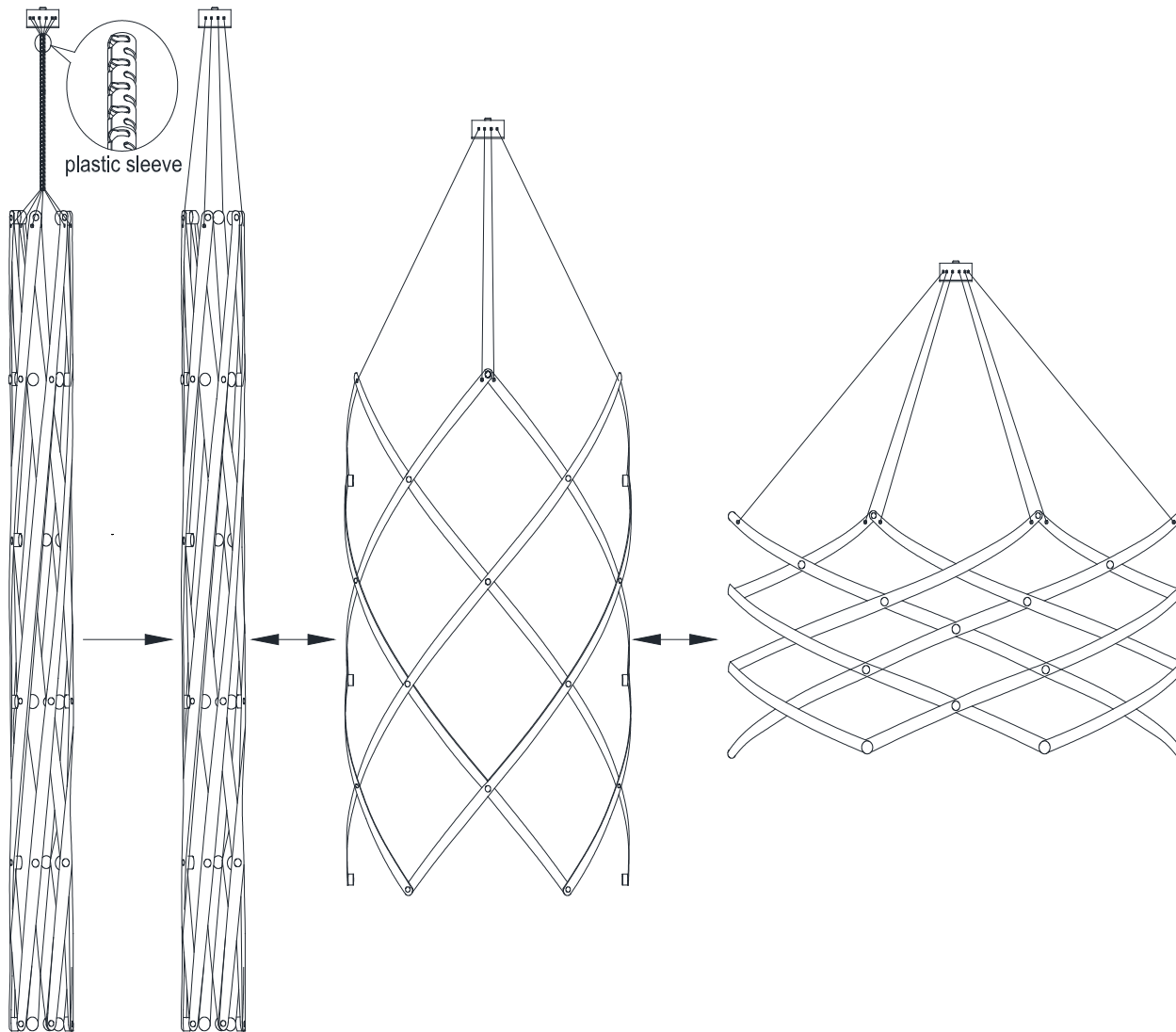
**INSPECT ITEM CAREFULLY BEFORE ATTEMPTING TO INSTALL. IF THERE IS ANY DAMAGE OR OBVIOUS DEFECT. DO NOT INSTALL.**

**ITEM MAY NOT BE RETURNED ONCE IT HAS BEEN INSTALLED.**

**NOTE: CAREFULLY UNPACK EACH PIECE IN TOP LAYER OF PACKING PRIOR TO REMOVING. RETAIN ALL PACKING MATERIAL UNTIL INSPECTION AND INSTALLATION ARE FINAL.**

1. Carefully remove all parts from the box. Then remove plastic sleeve from fixture wires (H).
2. With one hand grasp the corner (M) on the fixture body, another hand grasp the corner (N) on the other side of the fixture body, pull or push the corner slowly and carefully to get a desired shape.
3. Remove the mounting plate (B) from the canopy (F) by loosening the side screws (D).
4. Affix mounting plate (B) onto the outlet box and secure with mounting screws (C).
5. Loosen the screw on the canopy connector (E) and the screw on the wire clasp (I).
6. Let the main wire (G) pass through the canopy (F) and wire clasp (I), adjust the height of the fixture body, then secure the screws on the connector (E) and wire clasp (I). Measure the fixture wire then cut.  
Please be noticed that the length of the electric wire (H) can not be adjusted.
7. Tear off label B on the driver. Insert the fixture Hot wire (BLACK) into hole (marked "+") on the driver, then insert the fixture Neutral wire (WHITE) into hole (marked "-") on the driver.
8. Tear off label A on the driver. Insert the jump Hot wire (smooth edge, markings) into hole (marked "L") on the driver, then insert the jump Neutral wire (ribbed, no markings) into hole (marked "N") on the driver.
9. Connect fixture Ground wire (bare) to the green grounding screw on mounting plate (B). **IT IS IMPERATIVE THAT THIS FIXTURE BE GROUNDED.**
10. Connect the jump Hot wire (smooth edge, markings) with the hot wire from the outlet box using wire nut (A).

## ASSEMBLY INSTRUCTIONS



## Interlace Expandable Chandelier

Item # PB 5111

WE RECOMMEND INSTALLATION OF THIS LIGHTING FIXTURE BE DONE BY A LICENSED ELECTRICIAN.

WARNING\*\*\*SWITCH OFF THE MAIN ELECTRICAL SUPPLY FROM THE MAIN FUSE BOX/CIRCUIT BREAKER BEFORE INSTALLATION.

INSPECT ITEM CAREFULLY BEFORE ATTEMPTING TO INSTALL. IF THERE IS ANY DAMAGE OR OBVIOUS DEFECT. DO NOT INSTALL.

ITEM MAY NOT BE RETURNED ONCE IT HAS BEEN INSTALLED.

NOTE: CAREFULLY UNPACK EACH PIECE IN TOP LAYER OF PACKING PRIOR TO REMOVING. RETAIN ALL PACKING MATERIAL UNTIL INSPECTION AND INSTALLATION ARE FINAL.

11. Connect the jump Neutral wire (ribbed, no markings) with the neutral wire from the outlet box using wire nut (A).

DO NOT REVERSE THE HOT AND NEUTRAL CONNECTIONS OR SAFETY WILL BE COMPROMISED.

12. Tuck these wire connections neatly into the outlet box to secure.

13. Attach the canopy (F) to the mounting plate (B) and secure with side screws (D).

14. Installation is complete, turn on power at fuse or circuit breaker.

\*\*\*Clean with a dry, soft cloth only. Use no harsh abrasives or chemical agents.