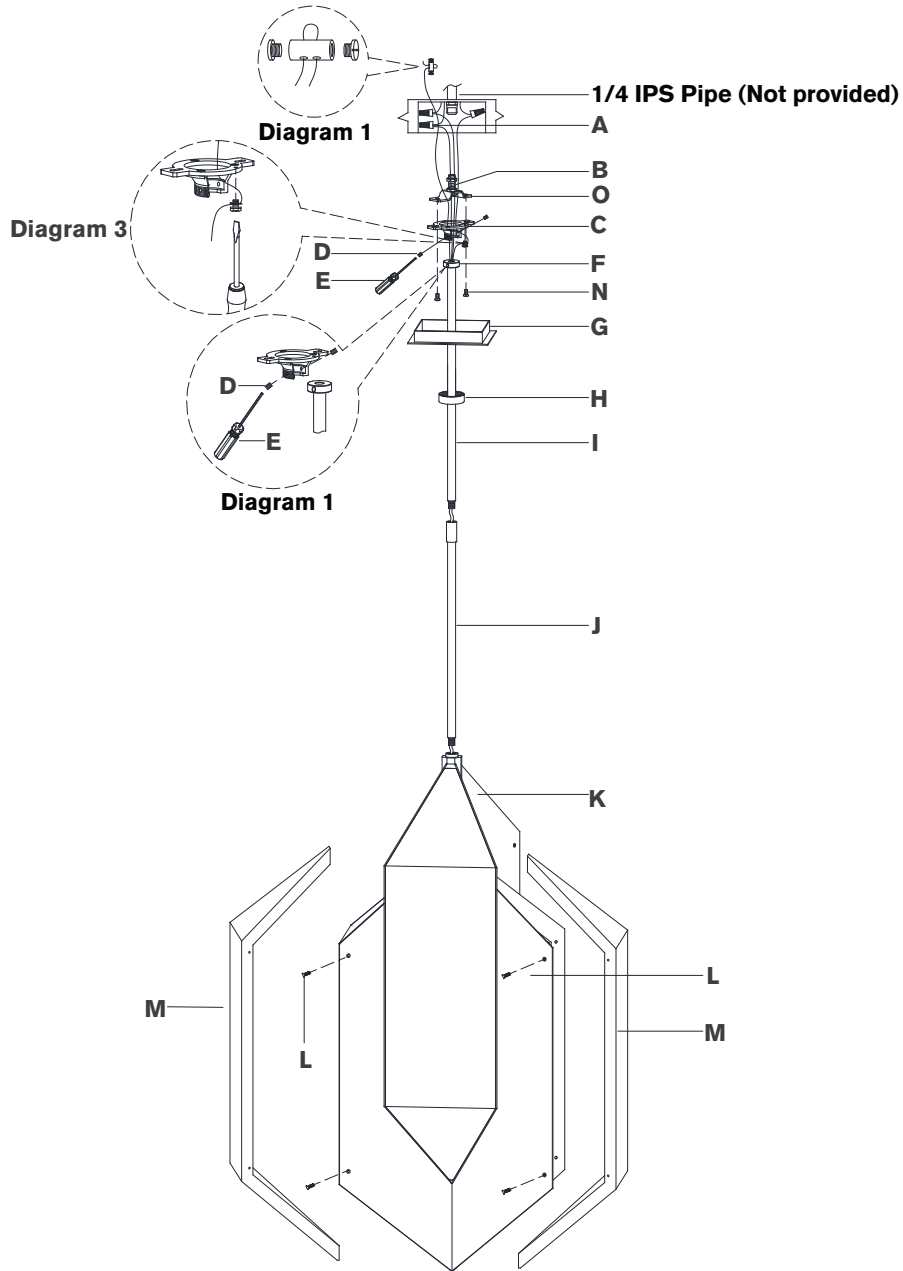


ASSEMBLY INSTRUCTIONS



Ophelion Medium Pendant

Item # KW 5722

NOTICE:

This light fixture should be installed in accordance with all applicable, local installation codes, and by a person familiar with the construction and operation of it, as well as the hazards involved. Inspect item and contents carefully. If any damage or defect is found, do not install. Retain all packaging material until installation is complete and approved.

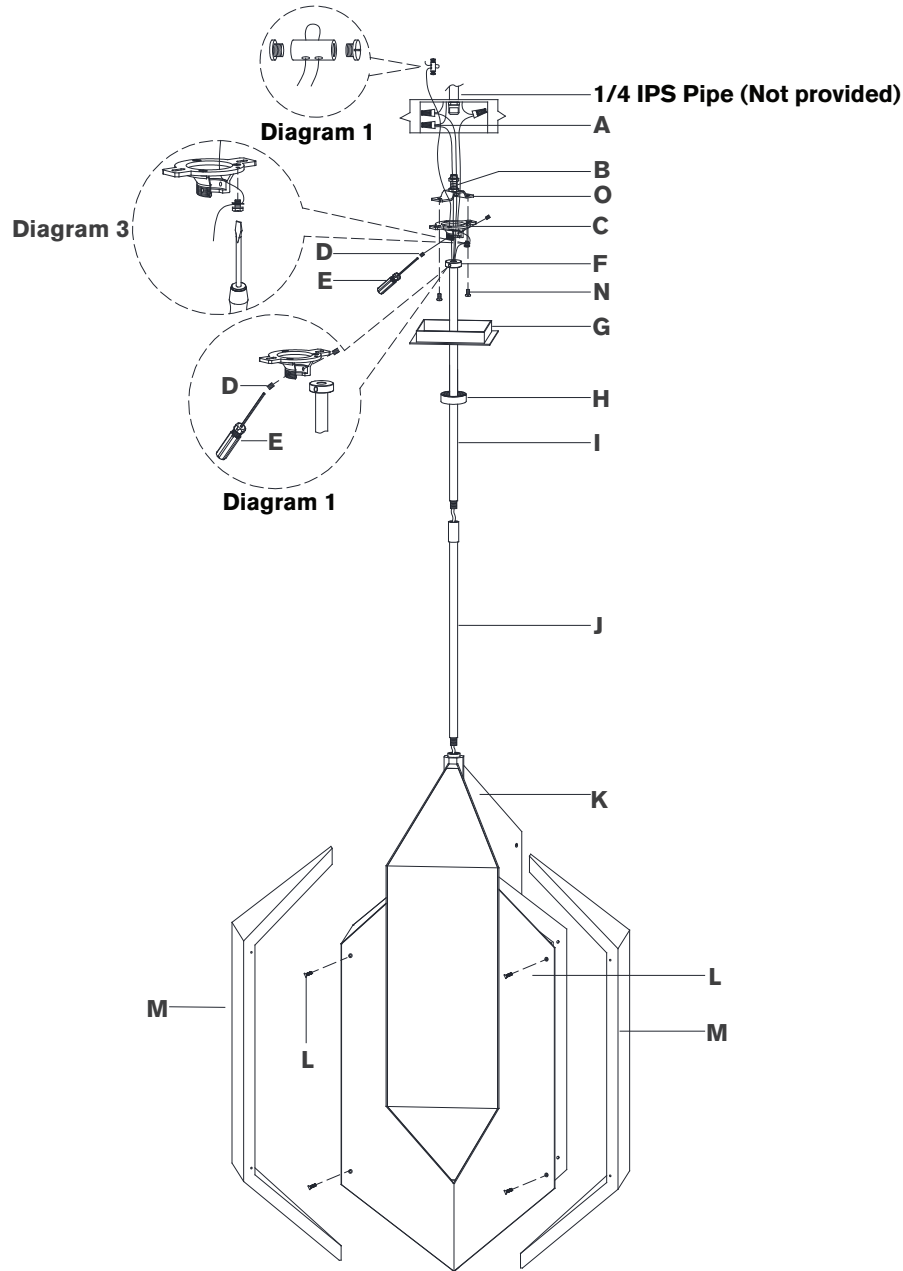
TOOLS REQUIRED (NOT INCLUDED):

Phillips Screwdriver	Slotted Screwdriver	Wire Cutters
Wire Strippers	Slip-joint pliers	

PERSONS REQUIRED: Two

1. Carefully remove all parts from the box. Place on a clean, soft surface.
2. Remove mounting plate (C) from canopy (G) by removing collar ring (H).
3. Remove mounting bracket (O) from mounting plate (C) by removing screws (N).
4. It is recommended to install a 1/4 IPS threaded pipe, secured to a structural member of the building (not included). Then install threaded nipple (B) into receiver and tighten with wrench.
NOTE: Item must be supported independent of the junction box due to weight.
5. Install mounting plate (C) to mounting bracket (O) and secure with screws (N).
NOTE: It is recommended to have a helper assist in supporting the fixture for steps 6-10.
6. Install alabaster shades (M) to fixture (K) by securing with screws (L).
7. Feed electrical and ground wire through bottom rod (J) and connect to fixture (K).
8. Continue feeding wires through collar ring (H), canopy (G) and top rod (I).

ASSEMBLY INSTRUCTIONS



Ophelion Medium Pendant

Item # KW 5722

NOTICE:

This light fixture should be installed in accordance with all applicable, local installation codes, and by a person familiar with the construction and operation of it, as well as the hazards involved. Inspect item and contents carefully. If any damage or defect is found, do not install. Retain all packaging material until installation is complete and approved.

9. Holding fixture upright, slide collar ring **(H)** and canopy **(G)** down and rest on fixture **(K)**. Then connect top rod **(I)** to bottom rod **(J)**.
NOTE: Slide components down slowly to avoid damages.
10. Hang fixture mount **(F)** to center of mounting plate **(B)** and secure using set screws **(C)** with provided screwdriver **(D)** (see diagram 1).
11. Cut excess wires, being sure to leave enough to reach the junction box.
12. Separate two sides of molded wire, and strip insulation on each 5/8".
13. Loosen cable lock and install to end of safety cable. Run safety cable through junction box and around structural member of building. Insert cable through cable lock and tighten the ends with a screwdriver to secure. (See diagram 2)
14. Wrap fixture ground wire (bare copper) around the green grounding screw (see diagram 3). Tighten. Continue fixture ground wire and connect to supply ground wire (usually green or bare copper) using wire nut **(A)**.
NOTE: It is imperative that the fixture is grounded.
15. Connect fixture neutral wire (white) to the supply neutral wire (usually white) using wire nut **(A)**.
16. Connect fixture hot wire (black) to the supply hot wire (usually black) using wire nut **(A)**.
CAUTION: Do not reverse the hot and neutral connections.
17. Make sure all wire connections are tight, then carefully tuck into the junction box.
18. Install canopy **(G)** to mounting plate **(C)** by securing with collar ring **(H)**.

Care Instructions: Clean only with a soft dry cloth or feather duster. Do not use abrasive or chemical agents.